

2 ADVANCED RAILS SUPPORTING EVERY MODULE (SPACING OF RAILS TO BE SUGGESTED BY MODULE MANUFACTURER)

ADVANCED CLAMP "END CLAMP SETTING"

ADVANCED RAILING

ADVANCED L BRACKET 0° BEND

ADVANCED PURLIN BRACKET

BUTYL TAPE

SELF-DRILLING SCREWS

SOLAR PANEL

METAL ROOF

STEEL PURLIN

DETAIL A

ADVANCED CLAMP "MID CLAMP SETTING"

ADVANCED RAILING

SOLAR PANELS

DETAIL B

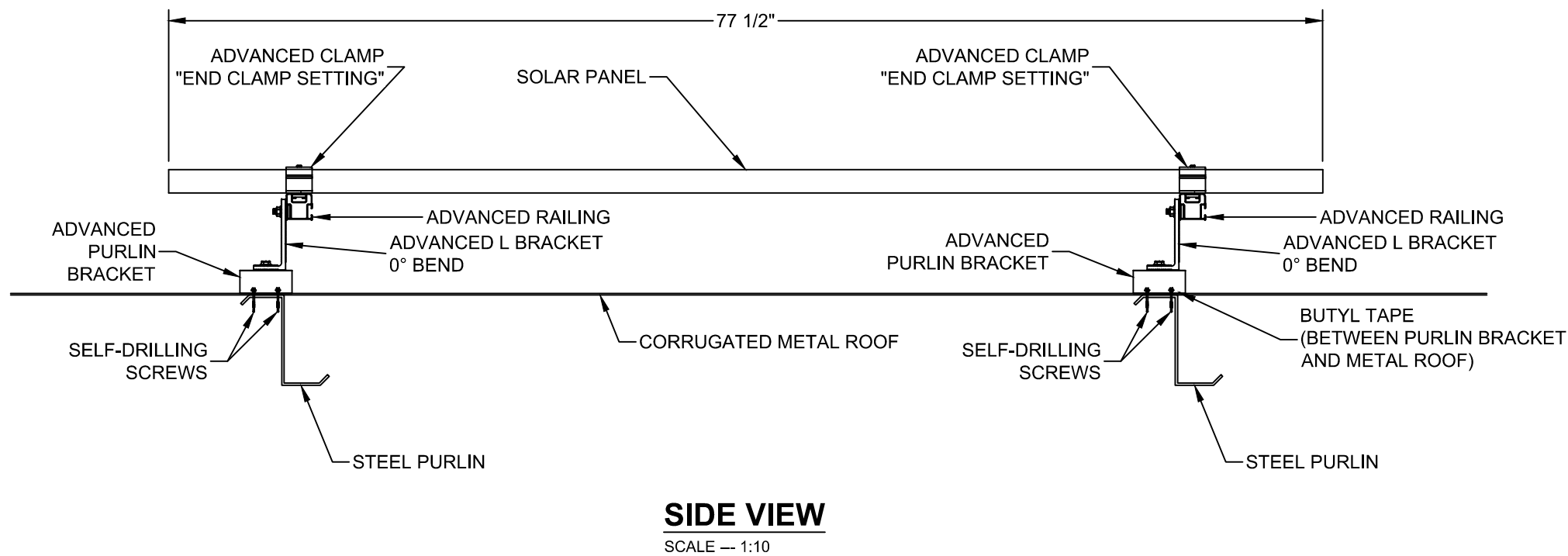
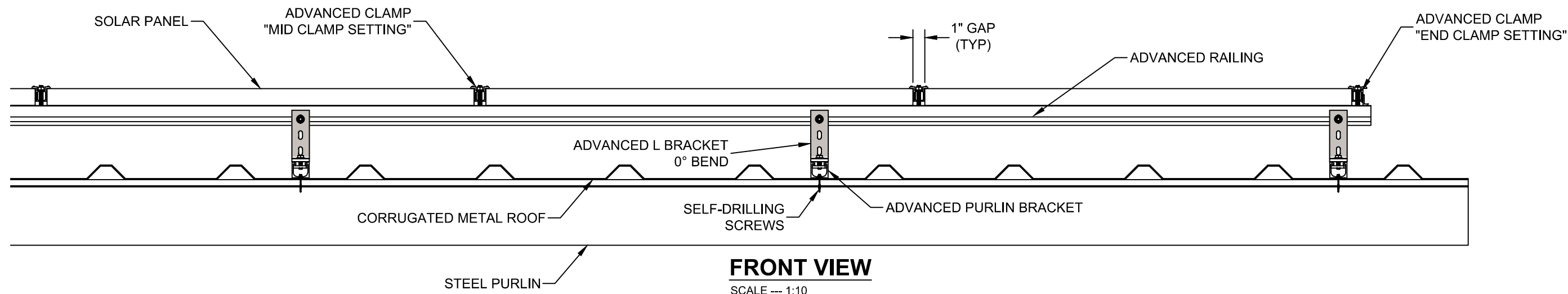
Title: **ADVANCED RAILING - GENERAL ASSEMBLY**
Purlin Bracket v2, Portrait, 0° Module Tilt

Roof Type	Roof Structure	Module Orientation:
Corrugated Metal	Steel Purlins Parallel to Rails	Portrait
Sheet: 1 of 3		
Drawn By: DJH	Date: 3/26/2020	
Checked By:	Date:	
Project No.	Scale: none	
Drawing No.: GA-001-SPBP00	Rev.:	


ADVANCED RACKING
P.O. Box 113, Daleville, VA 24083
Phone: (540)491-4091
Email: info@advancedracking.com

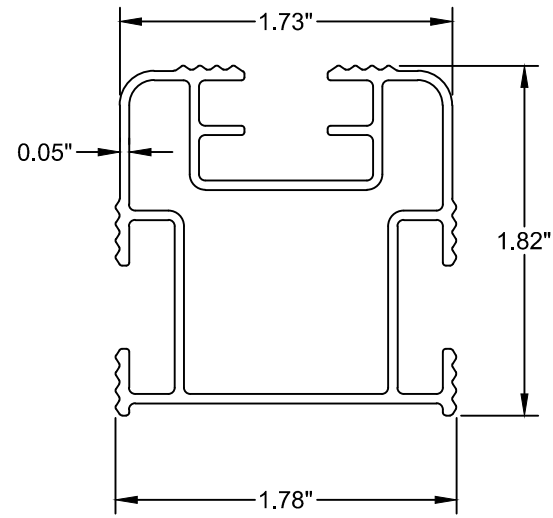
PROPRIETARY AND CONFIDENTIAL

THE INFORMATION CONTAINED IN THIS DRAWING IS THE SOLE PROPERTY OF ADVANCED RACKING SOLUTIONS. ANY REPRODUCTION IN PART OR AS A WHOLE WITHOUT THE WRITTEN PERMISSION OF ADVANCED RACKING SOLUTIONS IS PROHIBITED.

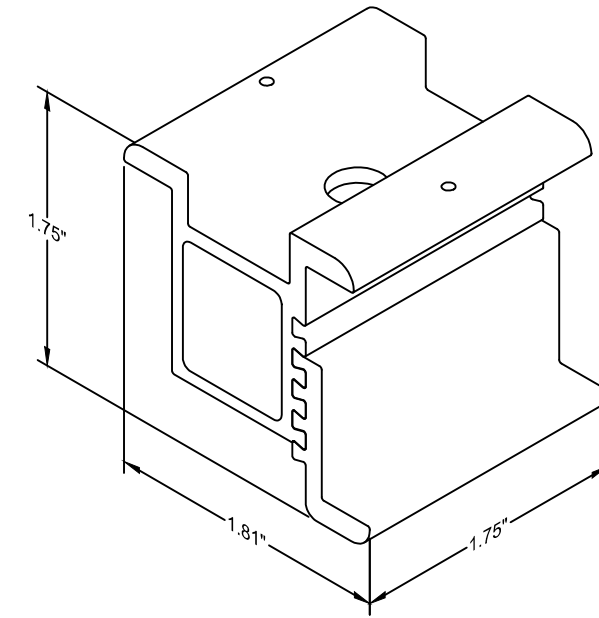


Title: **ADVANCED RAILING - GENERAL ASSEMBLY**
Purlin Bracket v2, Portrait, 0° Module Tilt

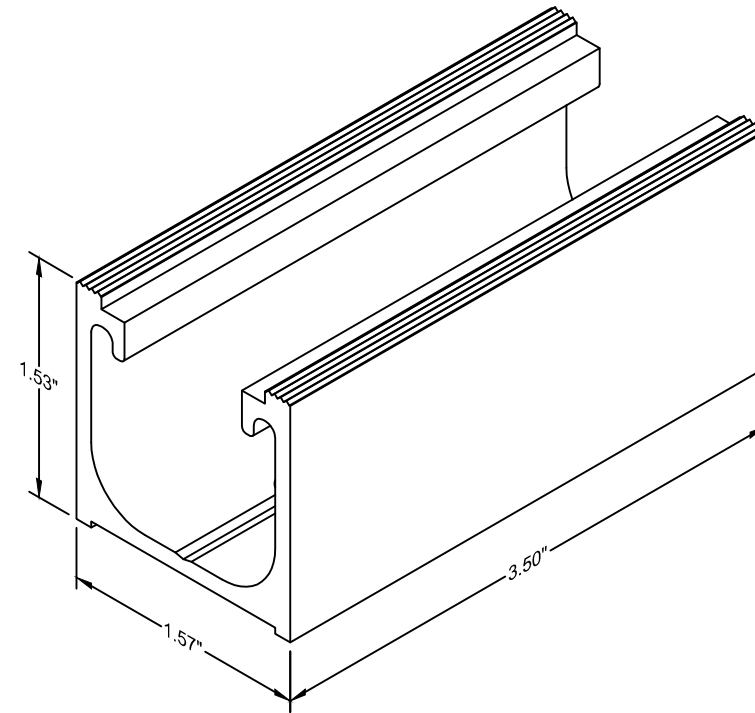
Roof Type	Roof Structure	Module Orientation:	 ADVANCED RACKING P.O. Box 113, Daleville, VA 24083 Phone: (540)491-4091 Email: info@advancedracking.com PROPRIETARY AND CONFIDENTIAL THE INFORMATION CONTAINED IN THIS DRAWING IS THE SOLE PROPERTY OF ADVANCED RACKING SOLUTIONS. ANY REPRODUCTION IN PART OR AS A WHOLE WITHOUT THE WRITTEN PERMISSION OF ADVANCED RACKING SOLUTIONS IS PROHIBITED.
Corrugated Metal	Steel Purlins Parallel to Rails	Portrait	
Sheet: 2 of 3			
Drawn By: DJH	Date: 3/26/2020		
Checked By:	Date:		
Project No.	Scale: none		
Drawing No.: GA-002-SPBP00	Rev.:		



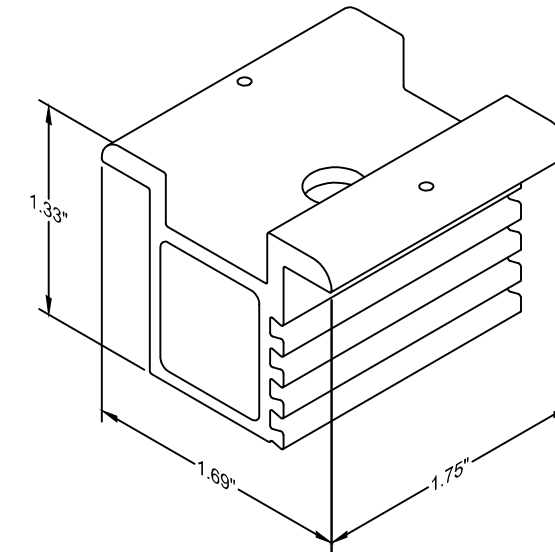
ADVANCED RAIL



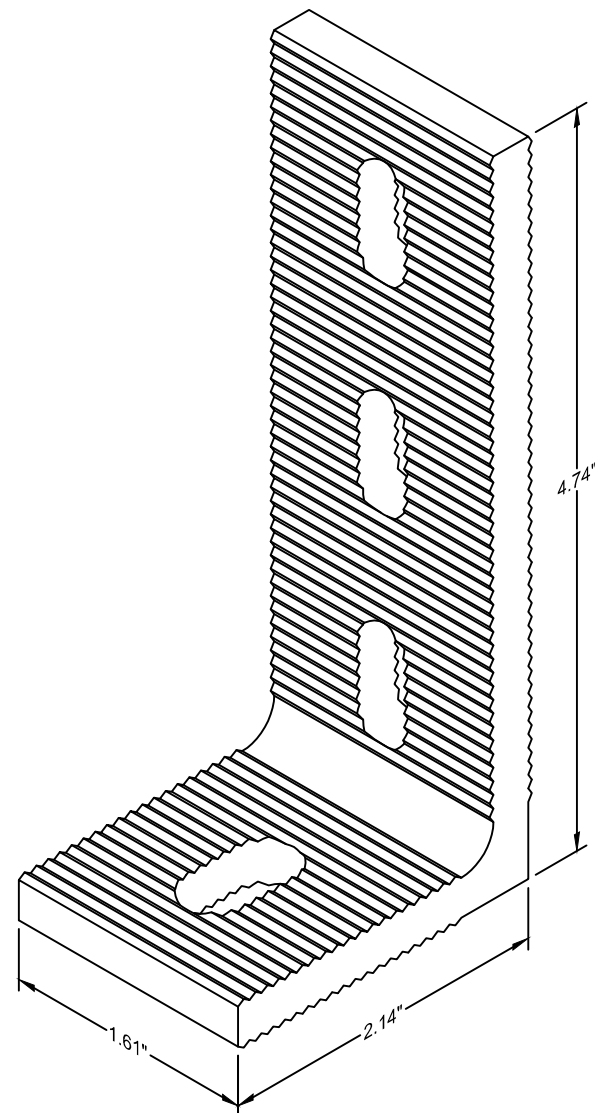
ADVANCED CLAMP "END CLAMP SETTING"




ADVANCED PURLIN BRACKET



ADVANCED CLAMP "MID CLAMP SETTING"



**ADVANCED L BRACKET
0° BEND**

Title: ADVANCED RAILING - GENERAL ASSEMBLY Purlin Bracket v2, Portrait, 0° Module Tilt			 ADVANCED RACKING P.O. Box 113, Daleville, VA 24083 Phone: (540)491-4091 Email: info@advancedracking.com PROPRIETARY AND CONFIDENTIAL <small>THE INFORMATION CONTAINED IN THIS DRAWING IS THE SOLE PROPERTY OF ADVANCED RACKING SOLUTIONS. ANY REPRODUCTION IN PART OR AS A WHOLE WITHOUT THE WRITTEN PERMISSION OF ADVANCED RACKING SOLUTIONS IS PROHIBITED.</small>
Roof Type	Roof Structure	Module Orientation:	
Corrugated Metal	Steel Purlins Parallel to Rails	Portrait	
Sheet: 3 of 3			
Drawn By: DJH	Date: 3/26/2020		
Checked By:	Date:		
Project No.	Scale: none		
Drawing No.: GA-003-SPBP00	Rev.:		